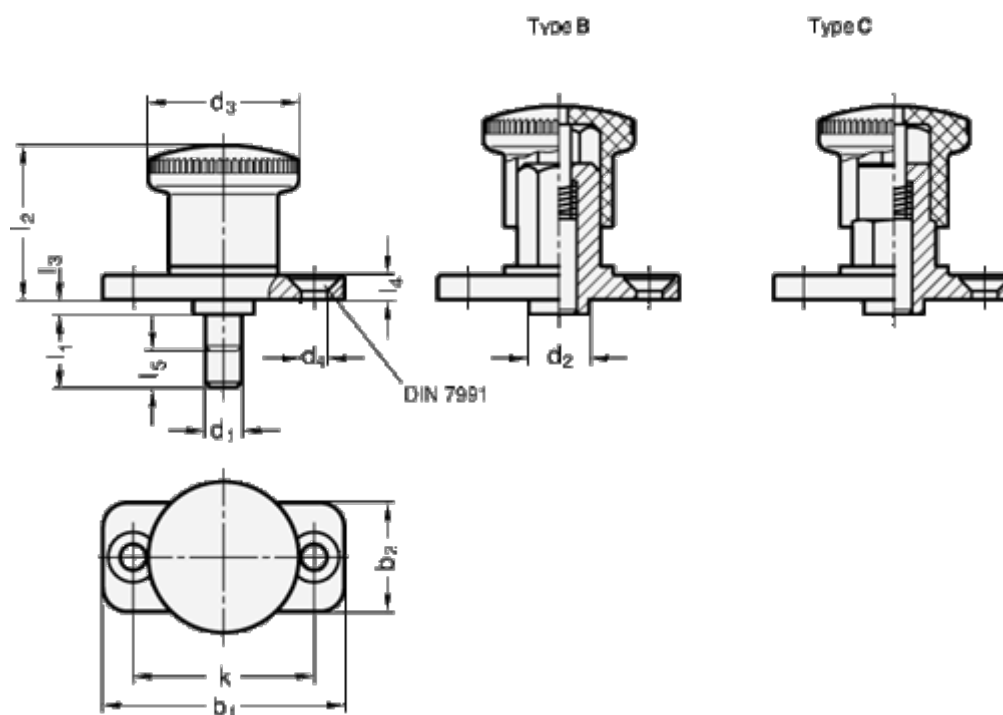


Article number: 208228810B

Description: E+G Mini indexing plunger  
without rest position, GN 822.6-8-10-B

## Measures



b1 = 50	l2	= 35
b2 = 23	l3	= 2.5
d1 = 8	l4	= 5
d2 = 14	l5	= 11
d3 = 33	Spring load initial N = 11	
d4 = 5.3		
k = 38		
l1 = 40.5		